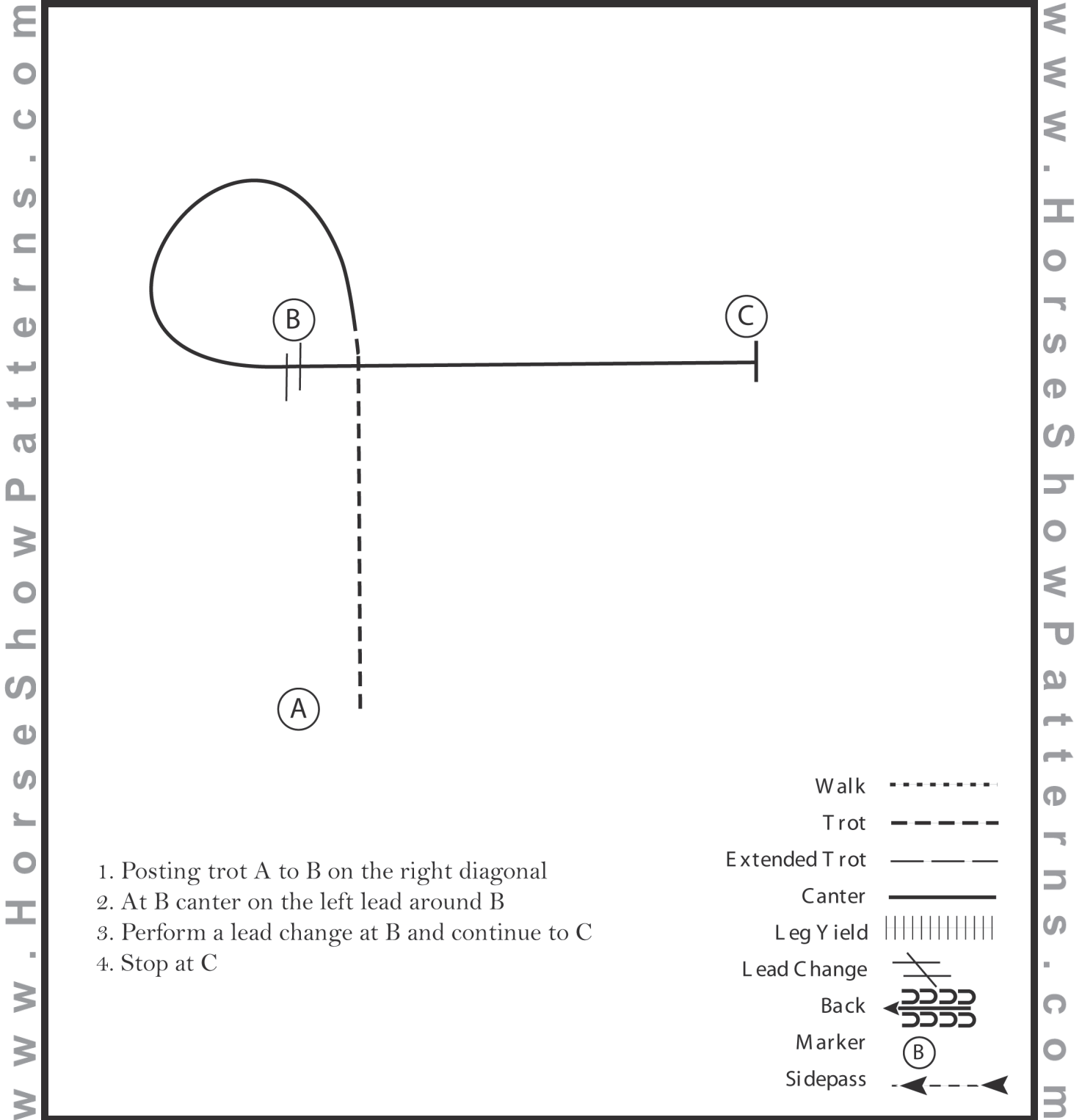


# DES ARAB OF TREASURE VALLEY

English Equitation (13 & under, 14 to 18, 19 to 49, and 50 & Over)

Show Date: 06/16/2018



[HSE/1-8]

Pattern Provided by:

*wade kirksey*

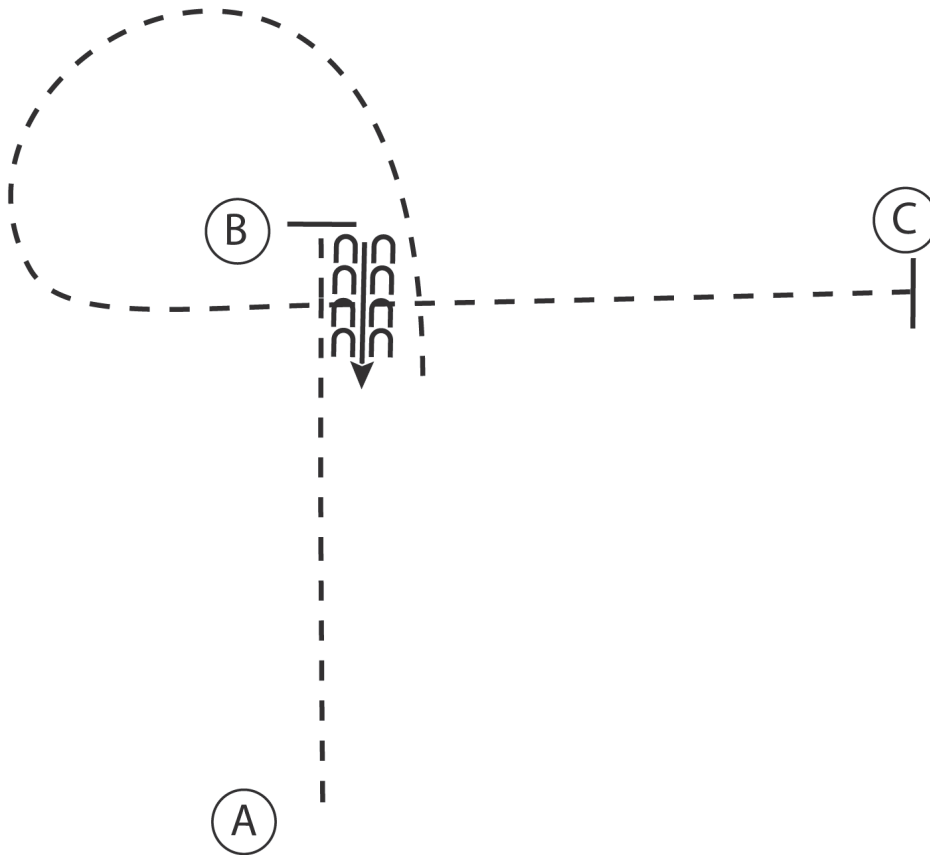
# DES ARAB OF TREASURE VALLEY

English Equitation (11 & Under, W/T Ltd, and Gaited )

Show Date: 06/16/2018

w w w . H o r s e S h o w P a t t e r n s . c o m

w w w . H o r s e S h o w P a t t e r n s . c o m



1. Trot A to B
2. At B stop and back 4 steps
3. Trot a circle around B and continue to C
4. Stop at C

Walk	.....
Trot	-----
Extended Trot	-----
Canter	—————
Leg Yield	
Lead Change	↘
Back	← C C C C
Marker	⊙ B
Sidepass	← - - - - ←

[HSE/WT-2]

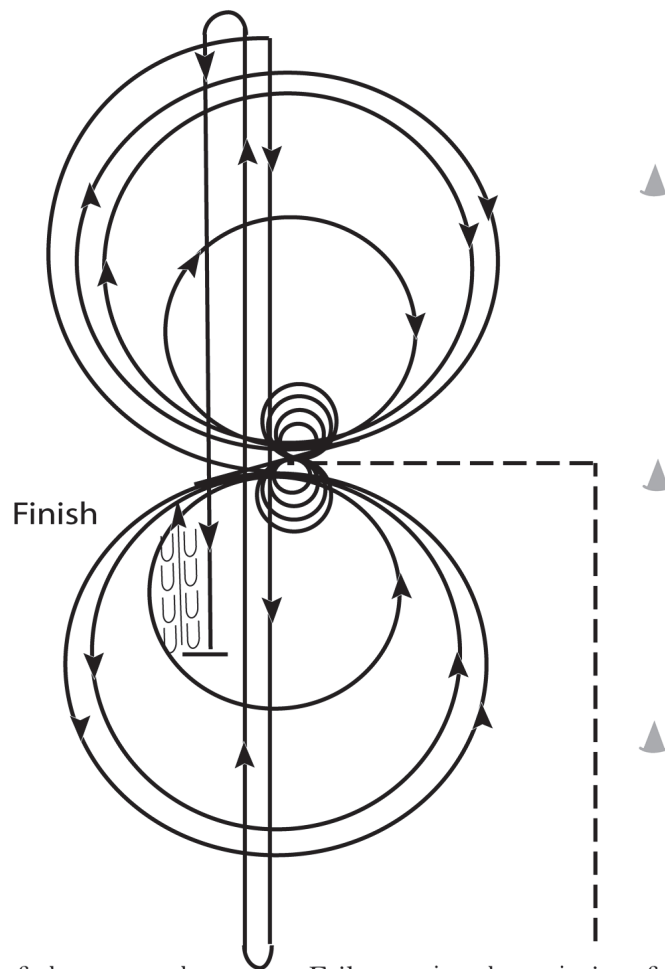
Pattern Provided by:

*wade kirksey*

# DES ARAB OF TREASURE VALLEY

## Reining (18 & Under and Non-Pro )

Show Date: 06/16/2018



Horses must jog the majority of the way to the center. Failure to jog the majority of the way to the center will result in a 0 for failure to complete the pattern as written. Horses must wal or stop prior to starting pattern. Begin at the center of the arena facing the left wall or fence.

1. Complete four spins to the left. Hesitate.
2. Complete four spins to the right. Hesitate.
3. Beginning on the right lead, complete three circles to the right; the first small and slow; the next two circles large and fast. Change leads at the center of the arena.
4. Complete three circles to the left; the first small and slow; the next two circles large and fast. Change leads at the center of the arena.
5. Begin a large circle to the right, but do not close this circle. Run down the center of the arena past the end marker and do a right rollback - no hesitation. C
6. Run up the middle to the opposite end of the arena past the end marker and do a left rollback - no hesitation.
7. Run past the center marker and do a sliding stop. Back up to the center of the arena or at least 10 feet (3m). Hesitate to demonstrate completion of pattern.

[R/AQHAP-11]

Pattern Provided by:

*wade kirksey*

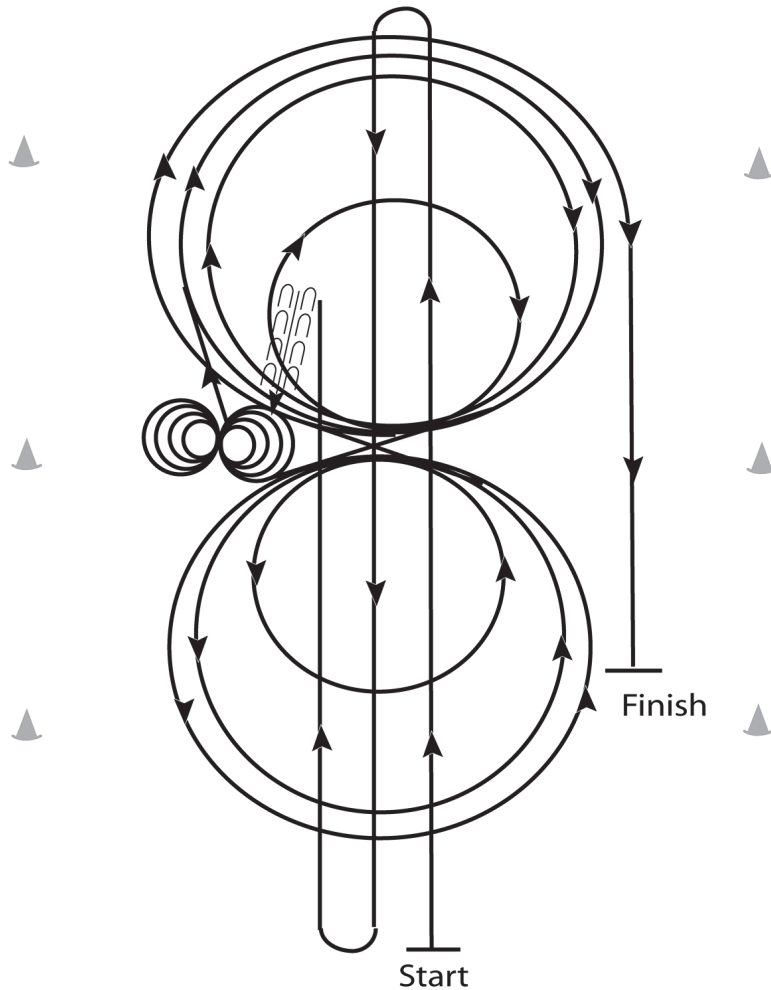
# DES ARAB OF TREASURE VALLEY

## Reining (Open)

Show Date: 06/16/2018

w w w . H o r s e S h o w P a t t e r n s . c o m

w w w . H o r s e S h o w P a t t e r n s . c o m



1. Run at speed to the far end of the arena past the end marker and do a left rollback – no hesitation.
2. Run to the opposite end of the arena past the end marker and do a right rollback – no hesitation.
3. Run past the center marker and do a sliding stop. Back up to the center of the arena at least ten feet (3m). Hesitate.
4. Complete four spins to the right.
5. Complete four and one-quarter spins to the left so that horse is facing left wall or fence. Hesitate.
6. Beginning on the right lead, complete three circles to the right: the first two circles large and fast; the third circle small and slow. Change leads at the center of the arena.
7. Complete three circles to the left: the first two circles large and fast; the third circle small and slow. Change leads at the center of the arena.
8. Begin a large fast circle to the right but do not close this circle. Run straight down the right side of the arena past the center marker and do a sliding stop at least twenty feet (6.09m) from the wall or fence. Hesitate to demonstrate completion of the pattern.  
Rider may drop bridle to the designated judge.

[R/AQHAP-7]

**Pattern Provided by:**

*wade kirksey*

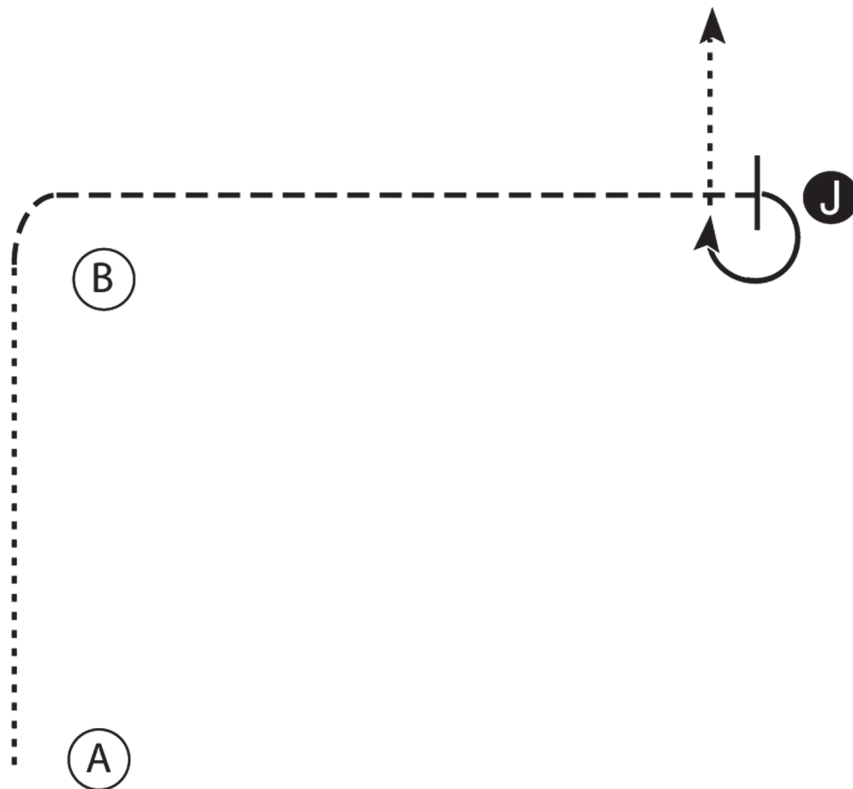
# DES ARAB OF TREASURE VALLEY

## Showmanship (11 & Under, and Mini )

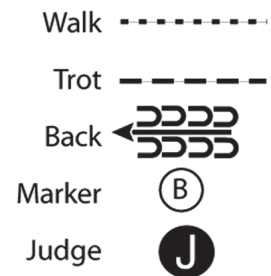
Show Date: 06/16/2018

w w w . H o r s e S h o w P a t t e r n s . c o m

w w w . H o r s e S h o w P a t t e r n s . c o m



1. Walk from A to B.
2. Trot from B to the Judge.
3. Stop and set up for inspection.
4. When dismissed perform a 270 degree turn and walk straight away from the Judge.



[S/WT-2]

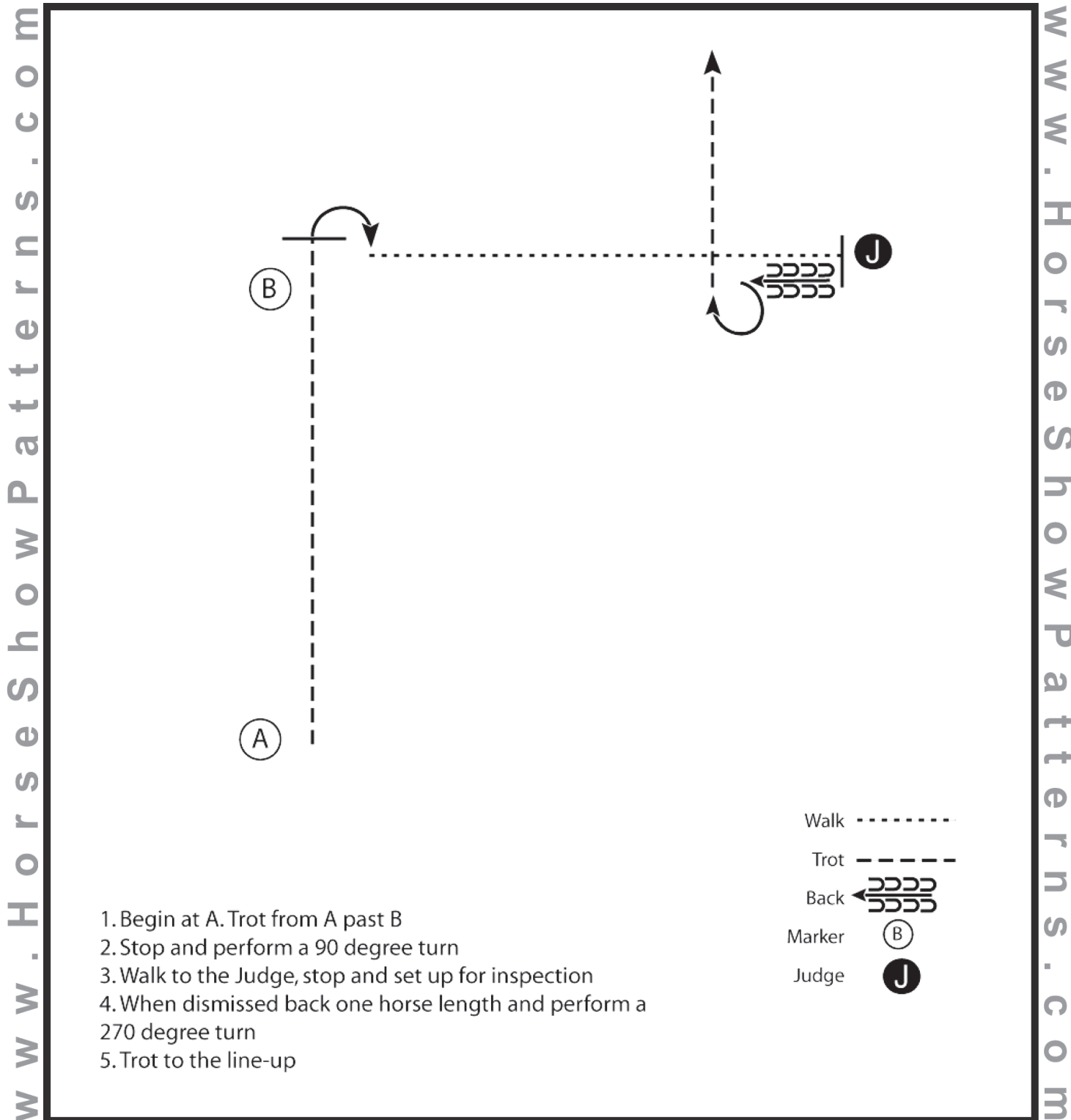
Pattern Provided by:

*wade kirksey*

# DES ARAB OF TREASURE VALLEY

showmanship (13& Under, 14 to 18, 19 to 49, 50 & over, and 4H 14 to 18)

Show Date: 06/16/2018



[S/WT-3]

Pattern Provided by:

*wade kirksey*

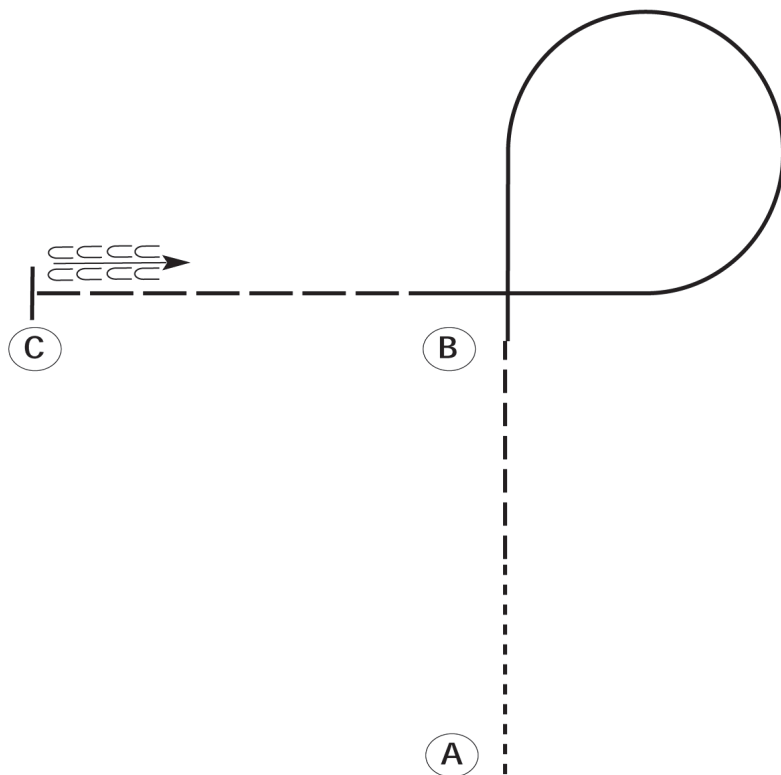
# DES ARAB OF TREASURE VALLEY

Western Horsemanship (13 & under, 14 to 18, 19 to 49, and 50 & Over)

Show Date: 06/16/2018

www.HorseShowPatterns.com

www.HorseShowPatterns.com



Be ready at A.

1. Walk from A 1/2 way to B.
2. Jog the rest of the way to B.
3. Lope a circle to the right.
4. Perform an extended jog from B to C.
5. Stop at C and back one horse length.

Retire to the rail or line up at a jog.

Walk	-----
Jog	-----
Extended Jog	-----
Lope	-----
Leg Yield	
Lead Change	↙↘
Back	←←←←←
Marker	(B)
Sidepass	←-----←

[WH/1-25]

Pattern Provided by:

*wade kirksey*

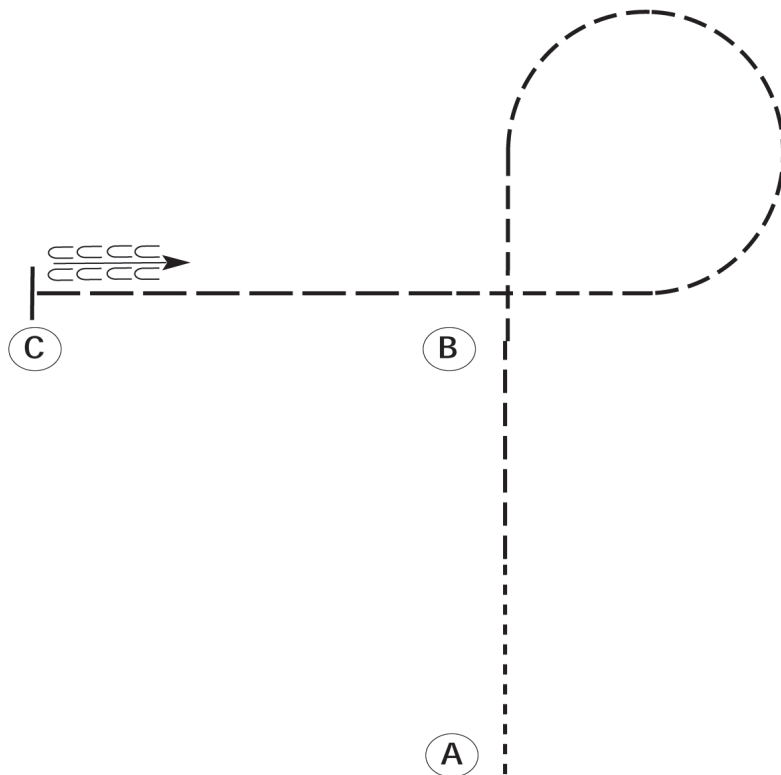
# DES ARAB OF TREASURE VALLEY

WESTERN HORSEMANSHIP (11 & UNDER AND WALK/TROT LTD RIDER)

Show Date: 06/16/2018

w w w . H o r s e S h o w P a t t e r n s . c o m

w w w . H o r s e S h o w P a t t e r n s . c o m



Be ready at A.

1. Walk from A 1/2 way to B.
2. Jog the rest of the way to B.
3. Jog a circle to the right.
4. Extend the jog from B to C.
5. Stop at C and back one horse length.

Retire to the rail or line up at a jog.

Walk	-----
Jog	-----
Extended Jog	-----
Lope	-----
Leg Yield	
Lead Change	↙ ↘
Back	← ← ← ← ←
Marker	(B)
Sidepass	← ← ← ← ←

[WH/WT-25]

Pattern Provided by:

*wade kirksey*



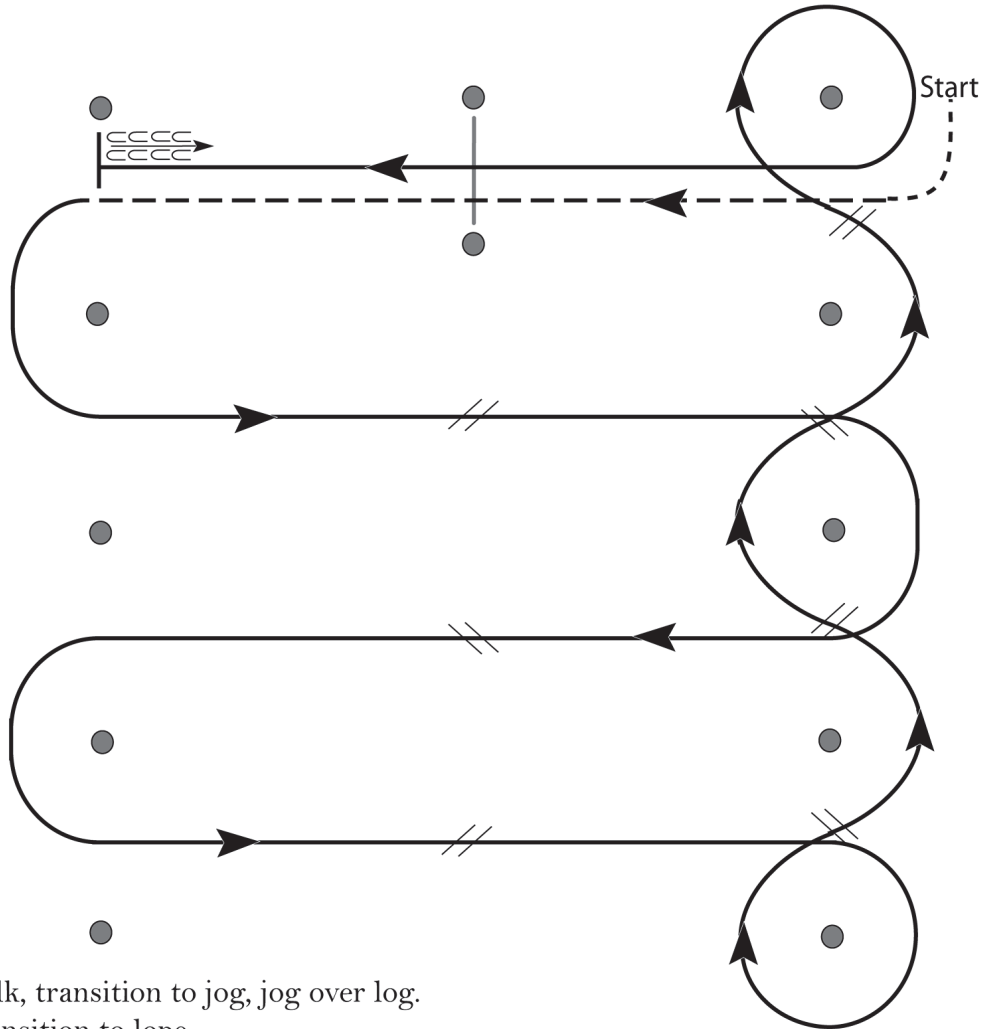
# DES ARAB OF TREASURE VALLEY

## Western Riding Open & Gaited (All Ages )

Show Date: 06/16/2018

w w w . H o r s e S h o w P a t t e r n s . c o m

w w w . H o r s e S h o w P a t t e r n s . c o m



1. Walk, transition to jog, jog over log.
2. Transition to lope.
3. First crossing change.
4. Second crossing change.
5. Third crossing change.
6. Circle and first line change.
7. Second line change.
8. Third line change.
9. Fourth line change and circle.
10. Lope log.
11. Lope, stop and back.

[WR/OP-2]

Pattern Provided by:

*wade kirksey*